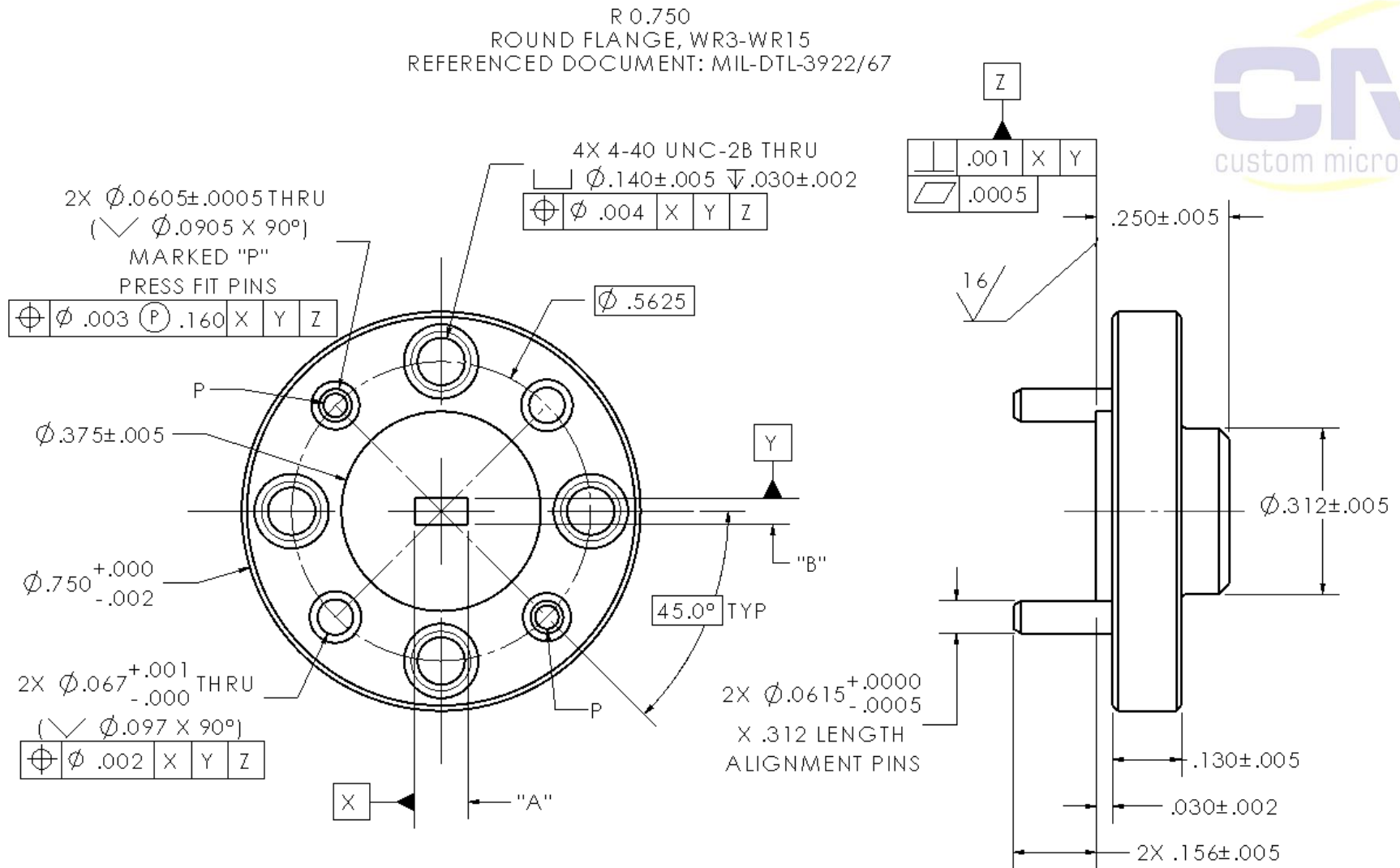
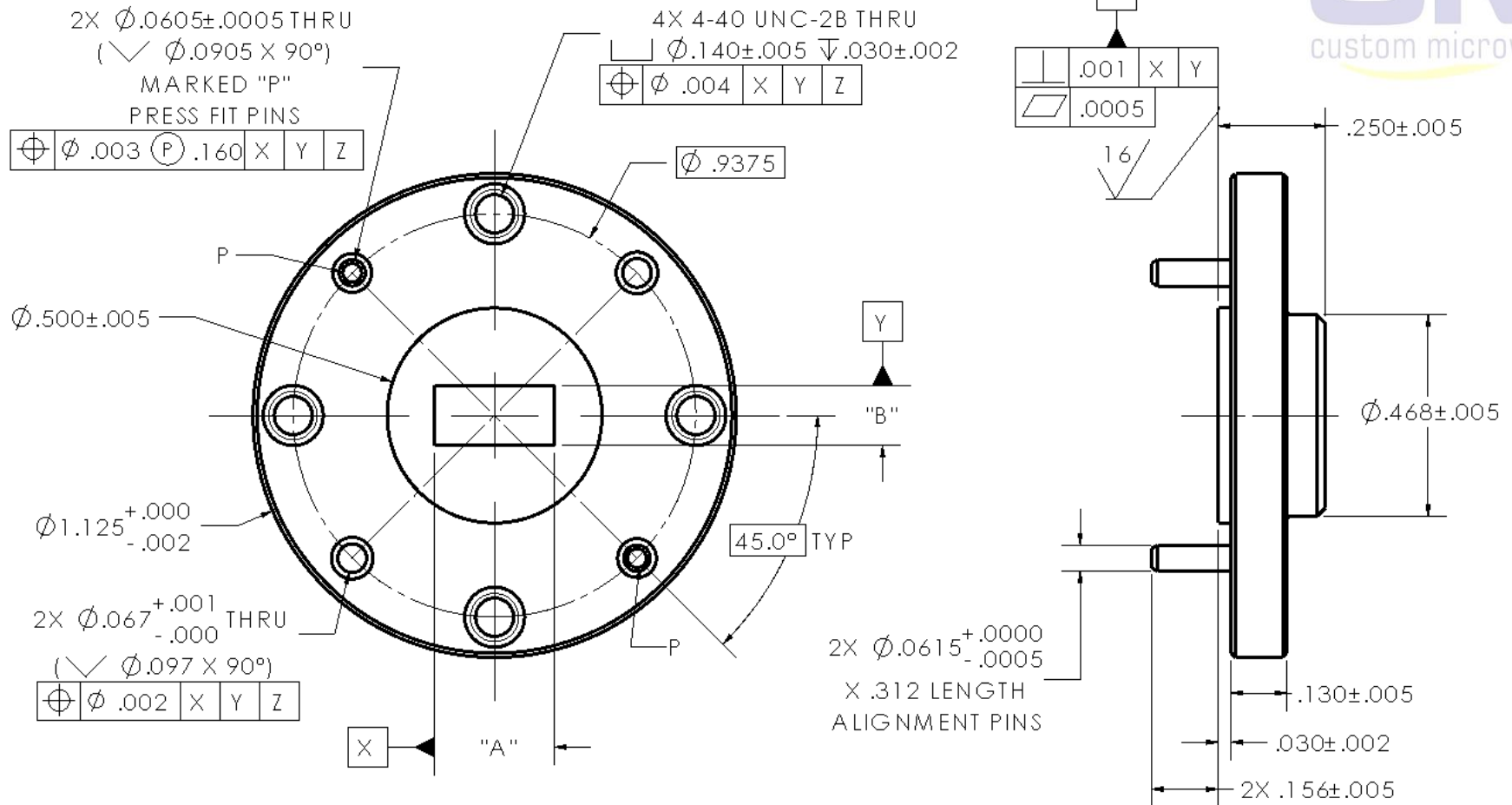


Flange Sizes



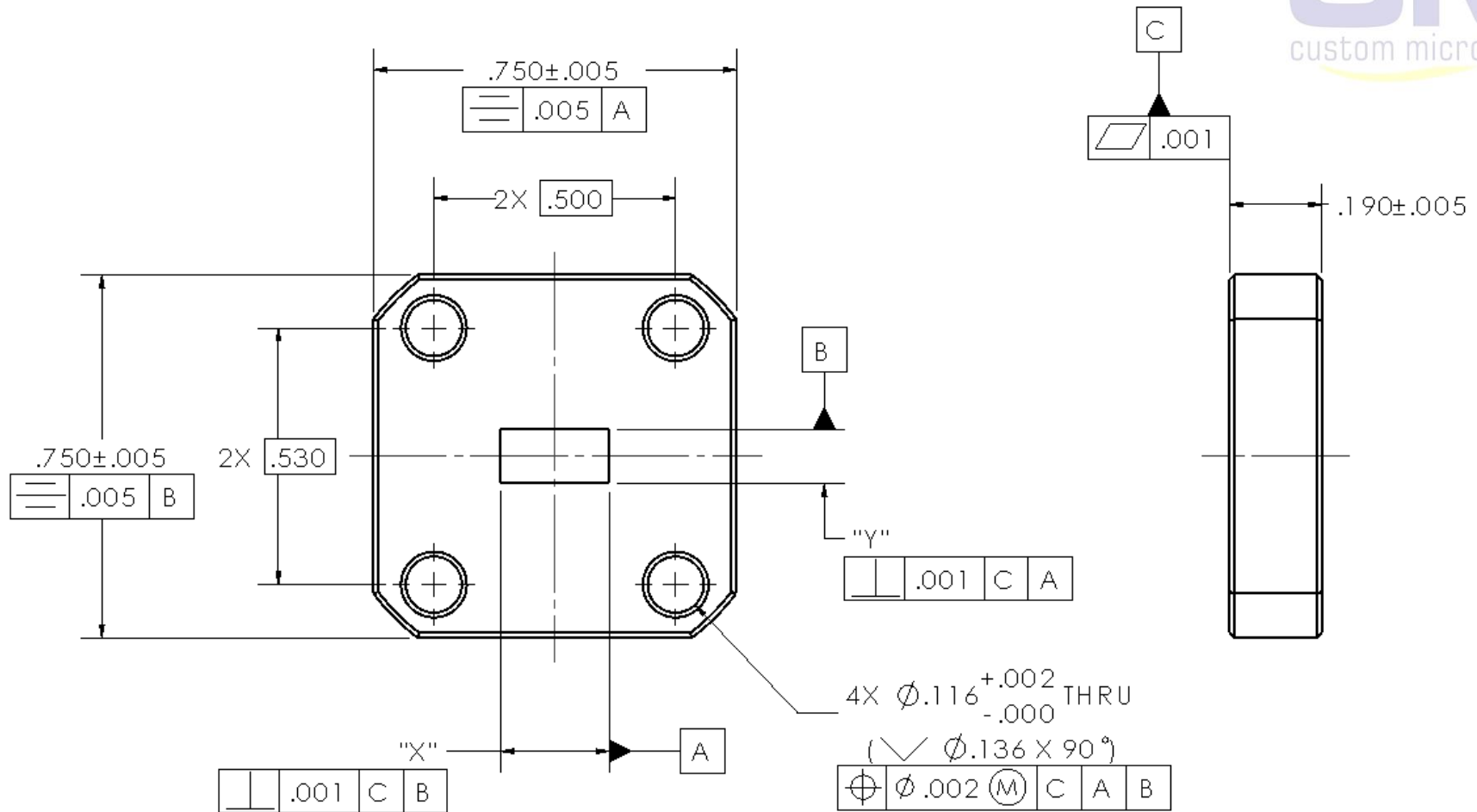


R 1.125  
 ROUND FLANGE, WR19-WR42  
 REFERENCED DOCUMENT: MIL-DTL-3922/67

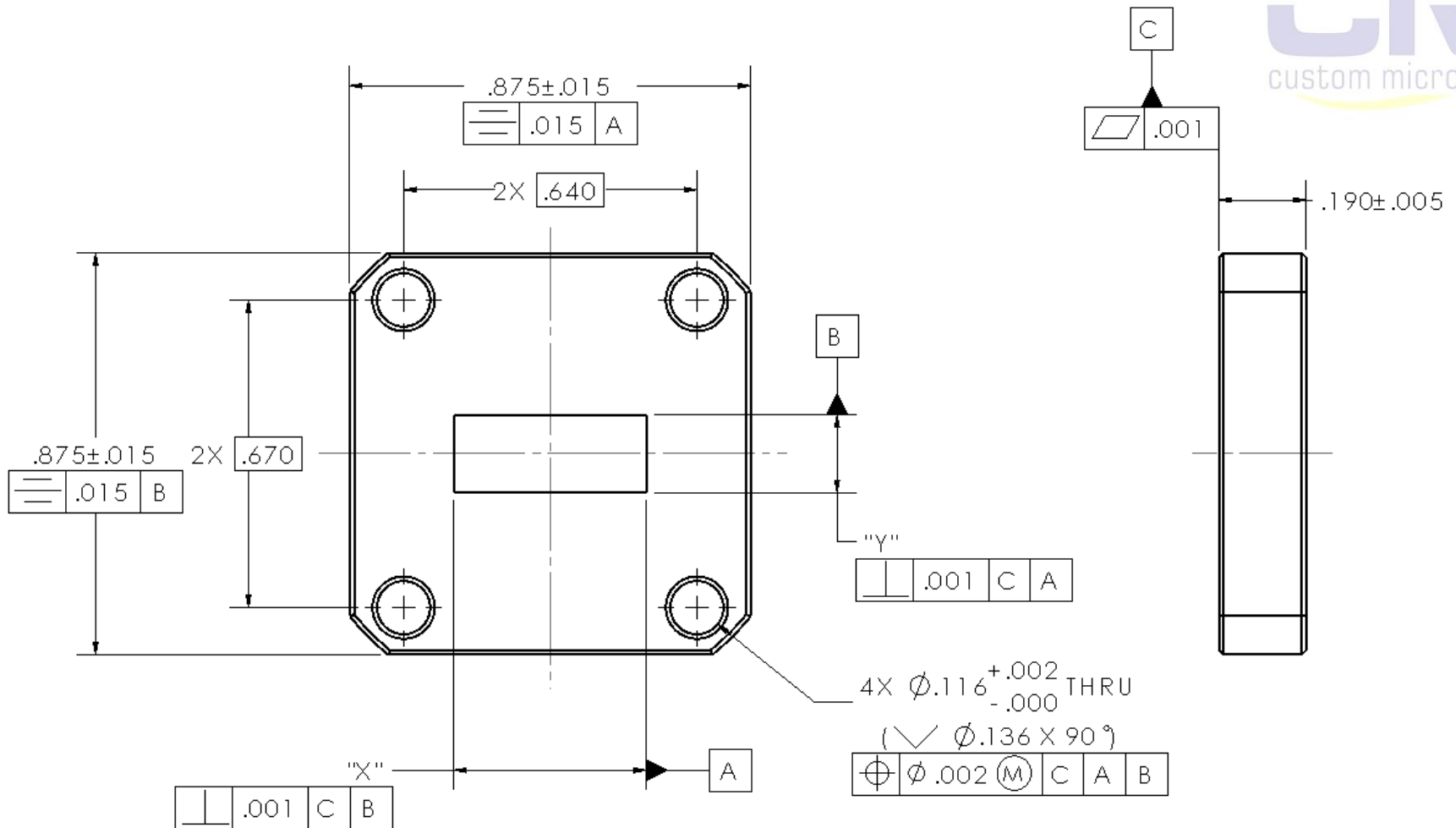




S 0.750  
 SQUARE FLANGE, WR19-WR28  
 REFERENCED DOCUMENT: MIL-DTL-3922/54

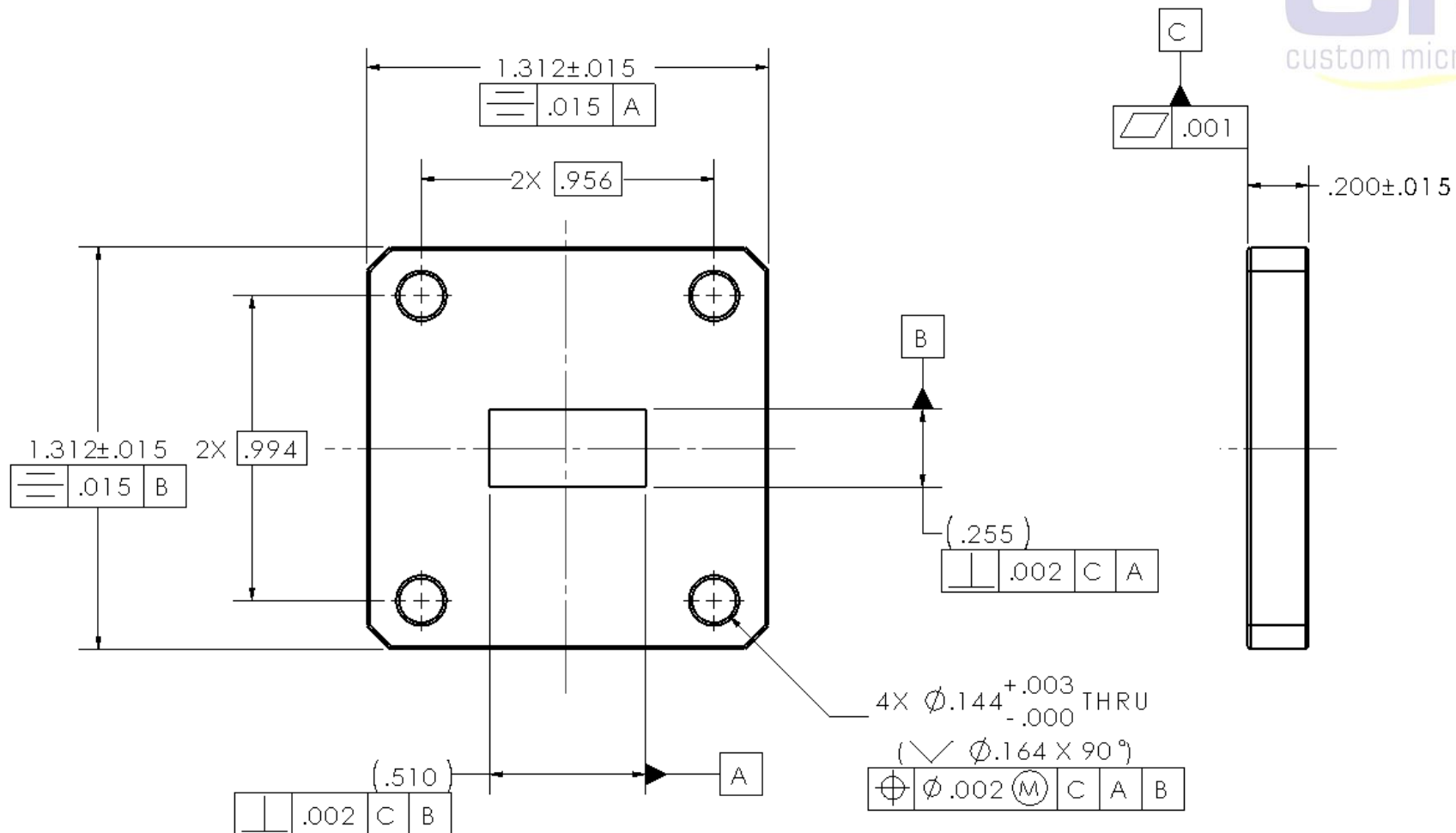


S 0.875  
 SQUARE FLANGE, WR34-WR42  
 REFERENCED DOCUMENT: MIL-DTL-3922/54



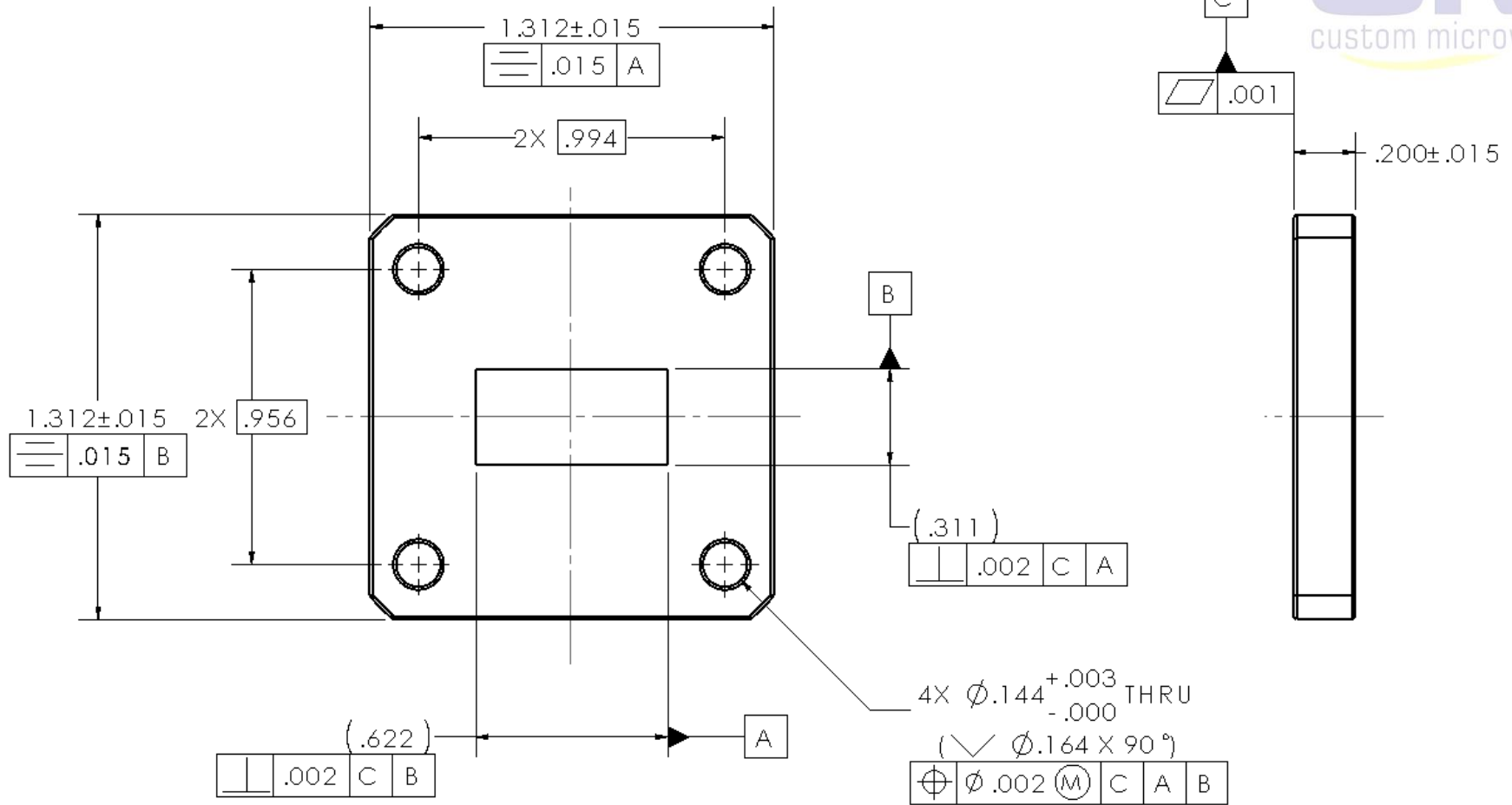


S 1.312  
 SQUARE FLANGE, WR51  
 REFERENCED DOCUMENT: MIL-DTL-3922/70

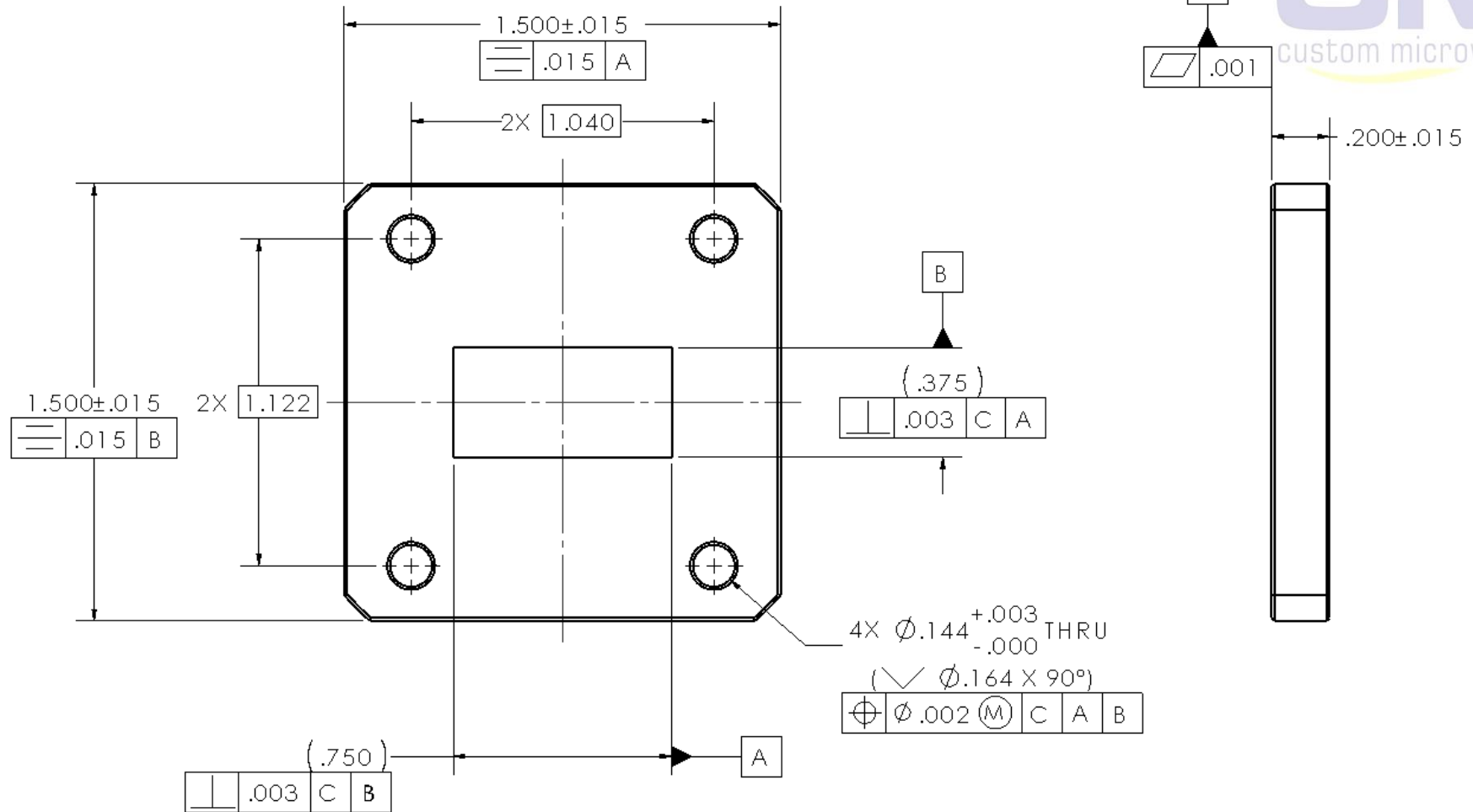




S 1.312  
 SQUARE FLANGE, WR62  
 REFERENCED DOCUMENT: MIL-DTL-3922/54



S 1.500  
 SQUARE FLANGE, WR75  
 REFERENCED DOCUMENT: MIL-DTL-3922/70





S 1.625  
 SQUARE FLANGE, WR90  
 REFERENCED DOCUMENT: MIL-DTL-3922/54

